

TEAC®

Writable DVD±R / DVD±R DL / CD-R

Rewritable DVD±RW / DVD-RAM / CD-RW

BEIGE

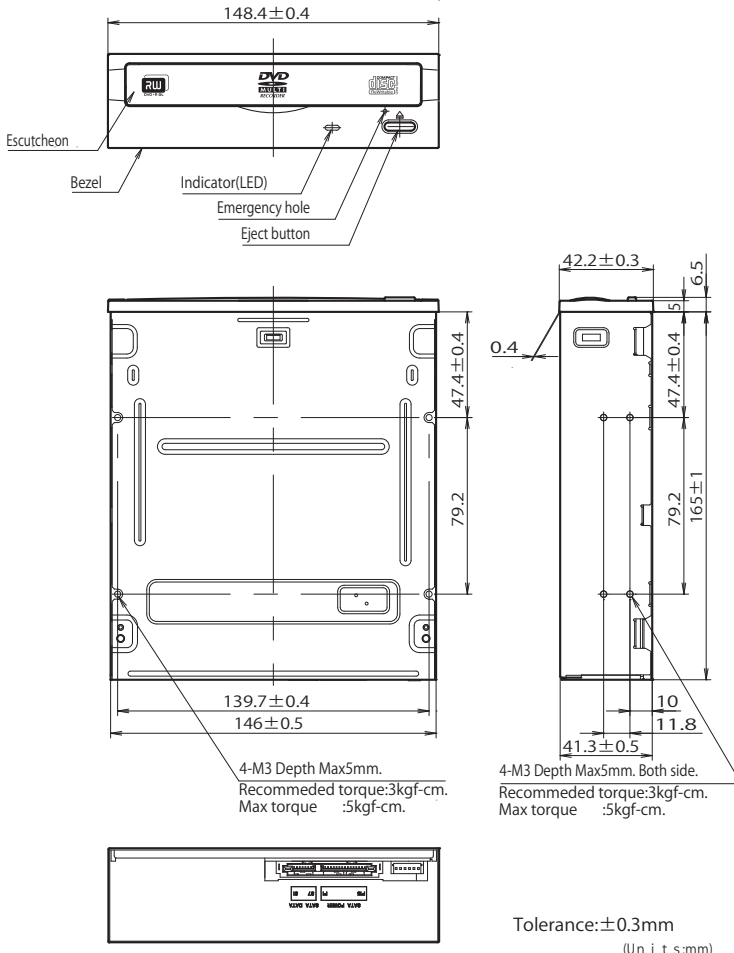


BLACK



DV-W5600S-300/400 Half Height DVD, CD Recorder

- Supporting disc-at-once, session-at-once, packet write, incremental, over write, track-at-once recording mode, sequential write, multi-session, and back ground format, Random Recording
- Horizontal and vertical mounting for most system configuration
- Black and Beige front panel model available



	300	400
Write Speed (Max Speed)	DVD±R	24x (CAV)
	DVD±R DL	8x (ZCLV)
	DVD±RW	4x (CLV)
	DVD-RAM	5x (ZCLV)
	CD-R	48x (CAV)
	CD-RW	24x (ZCLV)
Read Speed (Max Speed)	DVD-ROM (SL) / ±R (SL)	16x (CAV)
	DVD-ROM (DL) / ±R (DL)	12x (CAV)
	DVD±RW	13x (CAV)
	DVD-RAM	5x (ZCLV)
Data Buffer	CD-ROM / R	40x (PCAV)
	CD-DA (DAE)	40x (PCAV)
	CD-RW	40x (PCAV)
Disc Diameter	12cm, 8cm	20x (CAV)
Interface	SerialATA Revision3.1	
Access Time	160ms (typ) DVD-ROM	
	140ms (typ) CD-ROM	
Front Panel	Black	Beige
Environmental Conditions	Ambient Temperature	Operating 5 to 45°C
	Non Operating	-20 to 65°C
Ambient Humidity	Operating	8 to 80% (non-condensing)*
	Non Operating	5 to 95% (non-condensing)*
Power Requirements	DC5V±5%, 12V±5%	
Current Consumption	Standby 200mA (5V) / 10mA (12V) (Average current max)	
	Start Up 1800mA (5V) / 2000mA (12V) (Max, Spikes less 1ms)	
MTBF	60,000POH (10% duty)	
Safety / EMI Standards	UL, CUL, TÜV, CB, CE, BSMI, C-Tick and MIC	
Dimensions	146W x 41.3H x 170D (mm)	
Mass (Weight)	650g typ (Bezelless)	
RoHS	Complied	

Remarks
Please check the specification sheets for detailed conditions and other information.
* The maximum wet-bulb temp. is 29 degree C

DVD is a trademark of DVD Format/Logo Licensing Corporation registered in the U.S., Japan and other countries.

Other company names, product names and logos in this document are the trademarks or registered trademarks of their respective owners. Features and specifications are subject to change without notice. Precaution: To ensure safe handling and operation, read the Instruction Manual before use.

TEAC CORPORATION Storage Device Sales Department, Information Products Division

TEAC CORPORATION (<http://www.teac.co.jp>) 1-47 Ochiai, Tama-shi, Tokyo 206-8530 Japan Phone:81-42-356-9153 Fax:81-42-356-9184
 TEAC AMERICA, INC. (<http://teac-ipd.com/data-storage/>) 1834 Gage Road Montebello, CA 90640, USA Phone:1-323-726-0303 Fax:1-323-727-7656
 TEAC EUROPE GmbH. (<http://www.teac.de>) Bahnstrasse 12, 65205 Wiesbaden-Erbenheim, Germany Phone:49-611-71580 Fax:49-611-7158-392
 TAIWAN TEAC CORPORATION (<http://www.teac.com.tw>) 3F No.45, Sec.1 Min Chuan E. Road, 104 Taipei, Taiwan R.O.C. Phone:886-2-2597-8608 Fax:886-2-2597-8591

© Copyright TEAC CORPORATION 2014