

TEAC®

18x DVD-ROM
8x DVD±R DL
12x DVD±RW

16x DVD±R
48x CD-R
40x CD-RW

DV-518GSB Half Height DVD ROM Drive

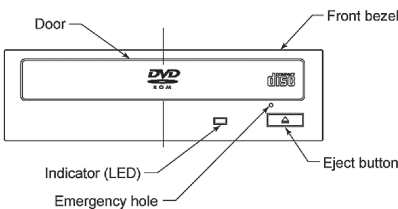
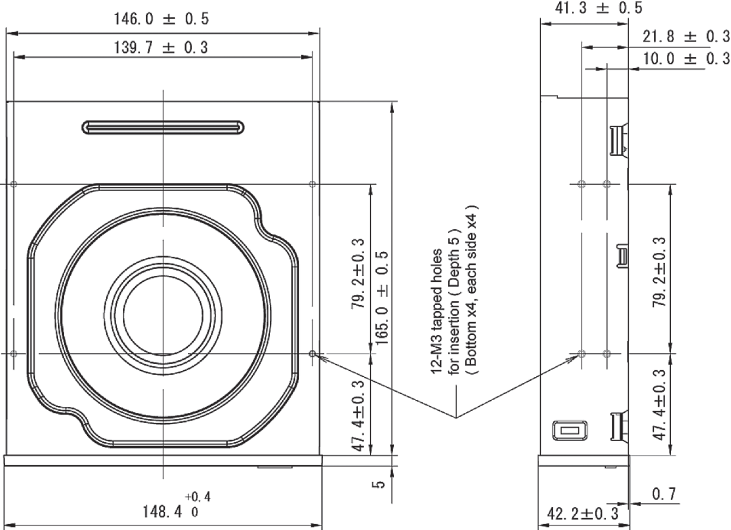
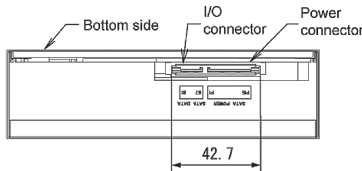
- Half height (41.3mm) industry-standard design
- Horizontal and vertical mounting for most system configuration
- Black and Beige front panel model available



BEIGE



BLACK



(Unit : mm)

Read Speed (Max Speed)	DVD-ROM SL	18x (CAV)	
	DVD ±R	16x (CAV)	
	DVD ±R (DL) (Finalized Disc)	8x (CAV)	
	DVD±RW	12x (CAV)	
	DVD-RAM (4.7G)	5x (CAV)	
	CD-ROM / R	48x (CAV)	
	CD-RW	40x (CAV)	
	CD-DA (DAE)	48x (CAV)	
	Disc Diameter	12cm, 8cm	
	Interface	SerialATA	
Data Transfer Rate	Gen1 i 1.5GB / sec		
Access Time	120ms (typ) DVD-ROM		
	120ms (typ) CD-ROM		
Data Buffer	198KB		
Loading Mechanism	Tray Type		
Environmental Conditions			
Ambient Temperature	Operating	5 to 45°C	
	Non Operating	-20 to 60°C	
	Transportation	-40 to 65°C	
Ambient Humidity	Operating	20 to 80% (non-condensing)*	
	Non Operating	10 to 85% (non-condensing)*	
	Transportation	5 to 90% (non-condensing)*	
Power Requirements	DC5V±5%, DC12V±10%		
Current Consumption	Sleep 0.15A (5V) / 0.03A (12V) (Average current max)		
	During starting 0.7A (5V) / 2.4A (12V) (Max, Spikes less 10ms)		
	During Seek 1.0A (5V) / 1.3A (12V) (Max, Spikes less 10ms)		
MTBF	70,000POH (25% duty)		
Safety / EMI Standards	UL, CUL, TÜV, CB, CE, C-Tick, KC and BSMI		
Dimensions	148.4W x 42.2H x 170.0D (mm)		
Mass (Weight)	608g typ		
RoHS	2011 / 65 / EU complied		

Remarks

Please check the specification sheets for detailed conditions and other information.

* The maximum wet-bulb temp. is 29 degree C



is a trademark of DVD Format/Logo Licensing Corporation registered in the U.S., Japan and other countries.

Other company names, product names and logos in this document are the trademarks or registered trademarks of their respective owners. Features and specifications are subject to change without notice. Precaution : To ensure safe handling and operation, read the Instruction Manual before use.

TEAC CORPORATION Storage Device Sales Department, Information Products Division

TEAC CORPORATION (<http://www.teac.co.jp>) 1-47 Ochiai, Tama-shi, Tokyo 206-8530 Japan Phone:81-42-356-9153 Fax:81-42-356-9184

TEAC AMERICA, INC. (<http://teac-ipd.com/data-storage/>) 1834 Gage Road Montebello, CA 90640, USA Phone:1-323-726-0303 Fax:1-323-727-7656

TEAC EUROPE GmbH. (<http://www.teac.de>) Bahnstrasse 12, 65205 Wiesbaden-Erbenheim, Germany Phone:49-611-71580 Fax:49-611-7158-392

TAIWAN TEAC CORPORATION (<http://www.teac.com.tw>) 3F No.45, Sec.1 Min Chuan E. Road, 104 Taipei, Taiwan R.O.C. Phone:886-2-2597-8608 Fax:886-2-2597-8591

© Copyright TEAC CORPORATION 2014