

TEAC®

24x DVD±R **8x DVD+RW**
8x DVD±R DL **6x DVD-RW**
48x CD-R

DV-W524GSE Half Height DVD Super Multi Drive

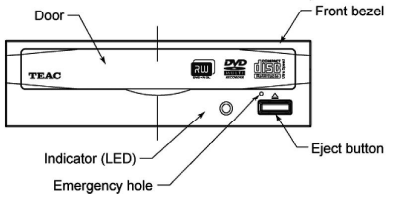
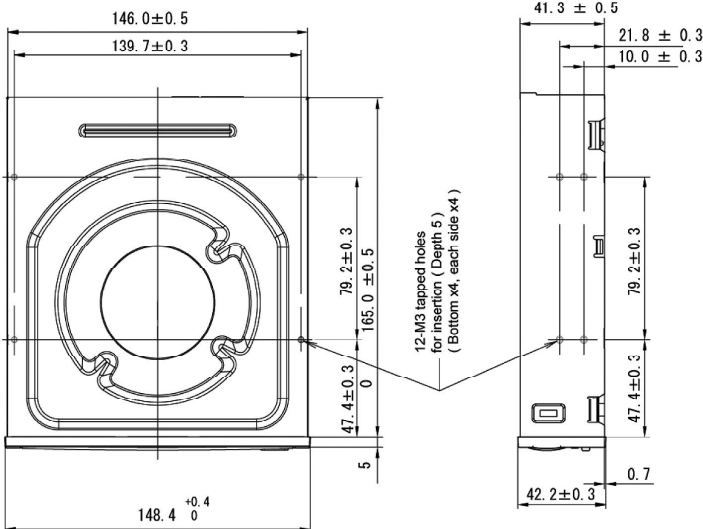
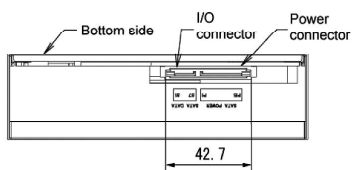
- Half height (41.3mm) industry-standard design
- Write mode : disc-at-once, session-at-once, packet write, incremental, over write, track-at-once, sequential write, multi-session, back ground format
- Horizontal and vertical mounting for most system configuration
- Buffer underrun prevention
- Black and Beige front panel model available



BEIGE



BLACK



(Unit : mm)



Write Speed (Max Speed)	DVD±R	24x (CAV)	
	DVD±R DL	8x (ZCLV)	
	DVD±RW	8x (ZCLV)	
	DVD-RW	6x (ZCLV)	
	DVD-RAM	5x (CLV)	
	CD-R	48x (CAV)	
Read Speed (Max Speed)	CD-RW US/US+	24x (ZCLV)	
	HS	10x (CLV)	
	MS	4x (CLV)	
	DVD-ROM (SL)	16x (CAV)	
	DVD±R	16x (CAV)	
	DVD±R (DL)	12x (CAV)	
Disc Diameter	DVD±RW	12x (CAV)	
	DVD-RAM (4.7G)	5x (CAV)	
	CD-ROM / R	48x (CAV)	
	CD-RW	40x (CAV)	
	CD-DA (DAE)	48x (CAV)	
	Disc Diameter	12cm, 8cm	
	Interface	Serial ATA	
	Data Transfer Rate	Gen1i 1.5GB / sec	
	Access Time	160ms (typ) DVD-ROM 160ms (typ) CD-ROM	
	Data Buffer	0.5MB	
Loading Mechanism	Tray Loading Type		
Environmental Conditions			
Ambient Temperature	Operating	5 to 45°C	
	Non Operating	-20 to 60°C	
	Transportation	-40 to 65°C	
Ambient Humidity	Operating	20 to 80% (non-condensing *)	
	Non Operating	10 to 85% (non-condensing *)	
	Transportation	5 to 90% (non-condensing *)	
Power Requirements	DC+5V (± 5%), DC+12V (± 10%)		
Current Consumption	During starting : 0.8A (5V), 2.5A (12V) (Max, Spikes less 10ms)		
	During read : 0.85A (5V), 0.75A (12V) (Average)		
	During write : 0.95A (5V), 2.1A (12V) (Average)		
MTBF	70,000POH (25% duty)		
Safety / EMI Standards	UL, cUL, TÜV, CB, CE, RCM, KC, BSMI		
Dimensions	148.4W x 42.2H x 170D (mm)		
Mass (Weight)	607g (typ)		
RoHS	2011/65/EU complied		

Remarks
Please check the specification sheets for detailed conditions and other information.
* The maximum wet-bulb temp. is 29 degree C

DVD is a trademark of DVD Format/Logo Licensing Corporation registered in the U.S., Japan and other countries.

Other company names, product names and logos in this document are the trademarks or registered trademarks of their respective owners. Features and specifications are subject to change without notice. Precaution : To ensure safe handling and operation, read the Instruction Manual before use.

TEAC CORPORATION

TEAC CORPORATION (<http://www.teac.co.jp>) 1-47 Ochiai, Tama-shi, Tokyo 206-8530 Japan
 TEAC AMERICA, INC. (<http://teac-ipd.com/data-storage/>) 1834 Gage Road Montebello, CA 90640, USA Phone:1-323-726-0303 Fax:1-323-727-7656
 TEAC EUROPE GmbH. (<http://www.teac.de>) Bahnstrasse 12, 65205 Wiesbaden-Erbenheim, Germany Phone:49-611-71580 Fax:49-611-7158-392